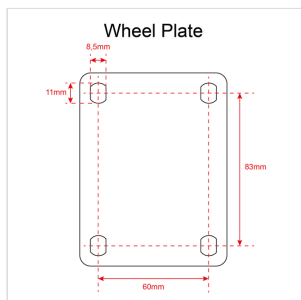


HYPER WHEEL BRAKE 75MM HIGH-LOAD WHEEL WITH ROLLER BEARING AND BRAKE

75mm High-Load Wheel with Roller Bearing and Brake for SOUNDSATION HYPER BASS 15 & 18 Active/Passive Subwoofers. Working Load 200kg (each wheel). Maximum load per 4pcs set: 800 kg.



PRODUCT DETAILS

KEY FEATURES

75mm x 45mm Black Rubber Wheel

360° Tilt Roller Bearing

With Brake

Working Load: 200kg

Steel Thickness: 2.5 mm

Black

SPECIFICATIONS

Wheel Size	Diameter 75 mm x 43 mm
Plate Size	80 x 105 mm
Hole Distance	60 x 80 mm
Hole Size	8,5 x 11 mm
Total Height	100 mm