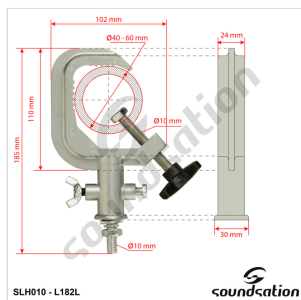


SLH010

# ALUMINUM PIPE CLAMP FROM 40 TO 60 MM PIPE DIAMETER

Pipe clamp to hang any mobile heads, projectors, or other kind of fixtures to lighting stand or truss systems with pipe diameters ranging from 40 to 60 mm (from 1.57 to 2.36 in).



## PRODUCT DETAILS

### KEY FEATURES

Locking Type: Screw

SWL (Safe Working Load): 80 kg

Pipe Diameter: From 40 to 60 mm (from 1.57 to 2.36 in)

### SPECIFICATIONS

<b>Material</b>	Aluminum
<b>Size</b>	102 x 185 x 30 mm
<b>Net Weight</b>	0,36 kg