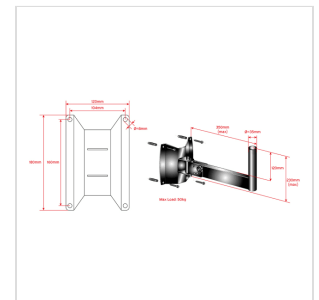


WSS-08

## WALL MOUNT SPEAKER STAND WITH INCLINATION ADJUSTMENT PIN

WSS-08 is an essential tool to install speakers in several situations: bars, restaurants, school, conference room, etc. Sturdy and stable, it's built in metal and it comes with 4 wall fixing points in order to guarantee best stability. Speaker can be directed through the horizontal junction, while inclination can be adjusted in 3 different positions.



## PRODUCT DETAILS

### KEY FEATURES

Fully built in metal material

35mm pole mount

4 wall fixing point with included screws

180° horizontal adjustment for optimal direction

Inclination can be adjusted in 3 different position with safety pin (0°, 19°, 39°)

### SPECIFICATIONS

<b>Load capacity</b>	50 Kg
<b>Horizontal directivity</b>	180°
<b>Inclination</b>	from 0° to -29° in 3 positions
<b>Horizontal distance of fixing holes</b>	104 mm
<b>Vertical distance of fixing holes</b>	160 mm
<b>Plate dimension (LxH)</b>	120 x 180mm
<b>Total lenght</b>	300 mm
<b>Pole mount dimensions</b>	(ØxH)