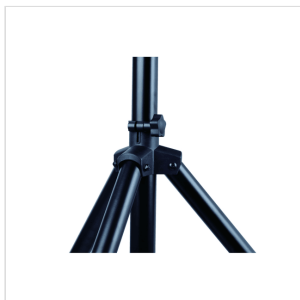


SSPS-70-BK SPEAKER STAND WITH 35 MM POLE MOUNT AND NYLON BASE JOINT

SSPS-70 is a speaker stand with 35 mm pole mount. The whole structure is in steel, sturdy and resistant, with a reinforced nylon base joint. The screw height adjustment system is double secured by a safety pin. Suitable for most speaker models. It's collapsable, lightweight and is easy to carry.



PRODUCT DETAILS

KEY FEATURES

Steel sturdy construction

Reinforced nylon base joint

35 mm pole mount, suitable for most speaker models

Screw locking system with handle

Metal safety pin system

SPECIFICATIONS

Load capacity	40 Kg
Height (min-max)	1200-1800 mm
Lower main tube diameter	400 mm
Weight	2,5 Kg
Construction material	Steel
Finish	painted black